

RIGHT ANGLE

FEATURES

- * WIDELY USED IN PRINTER & PC
- * HIGH RELIABILITY
- * HIGH DURABILITY
- * INTEGRATED THERMOPLASTIC INSULATOR
- * GOLD PLATING CONTACT

MATERIALS FINISHES

INSULATOR
THERMOPLASTIC UL 94V-0

CONTACT
PHOSPHOR BRONZE
GOLD FLASH

SHELL
#3 ZINE ALLDY

SPECIFICATION

ELECTRICAL CHARACTERISTICS :
 * LOW LEVEL CONTACT RESISTANCE : 15 mΩ MAX.
 * DIELECTRIC WITHSTANDING VOLTAGE : 1500 VAC MIN.
 * INSULATION RESISTANCE : 5000 MΩ MIN.
 * CONTACT CURRENT RATING :

MECHANICAL CHARACTERISTICS :
 * CONNECTOR INSERTION FORCE : 32 oz. MAX.
 * CONNECTOR EXTRACTION FORCE : 2 oz. MAX.
 * DURABILITY : 500 CYCLES
 * OPERATING TEMPERATURE : -55°C TO +85°C

ORDER INFORMATION

K A N 1 0 N N - X N

BNC SERIES ———

COAXIAL TYPE ———

- A = BNC
- B = TNC
- C = TWIN
- D = RDM

TERMINATION TYPE ———

- C = PCB MOUNT STRAIGHT
- D = PCB MOUNT RIGHT ANGLE

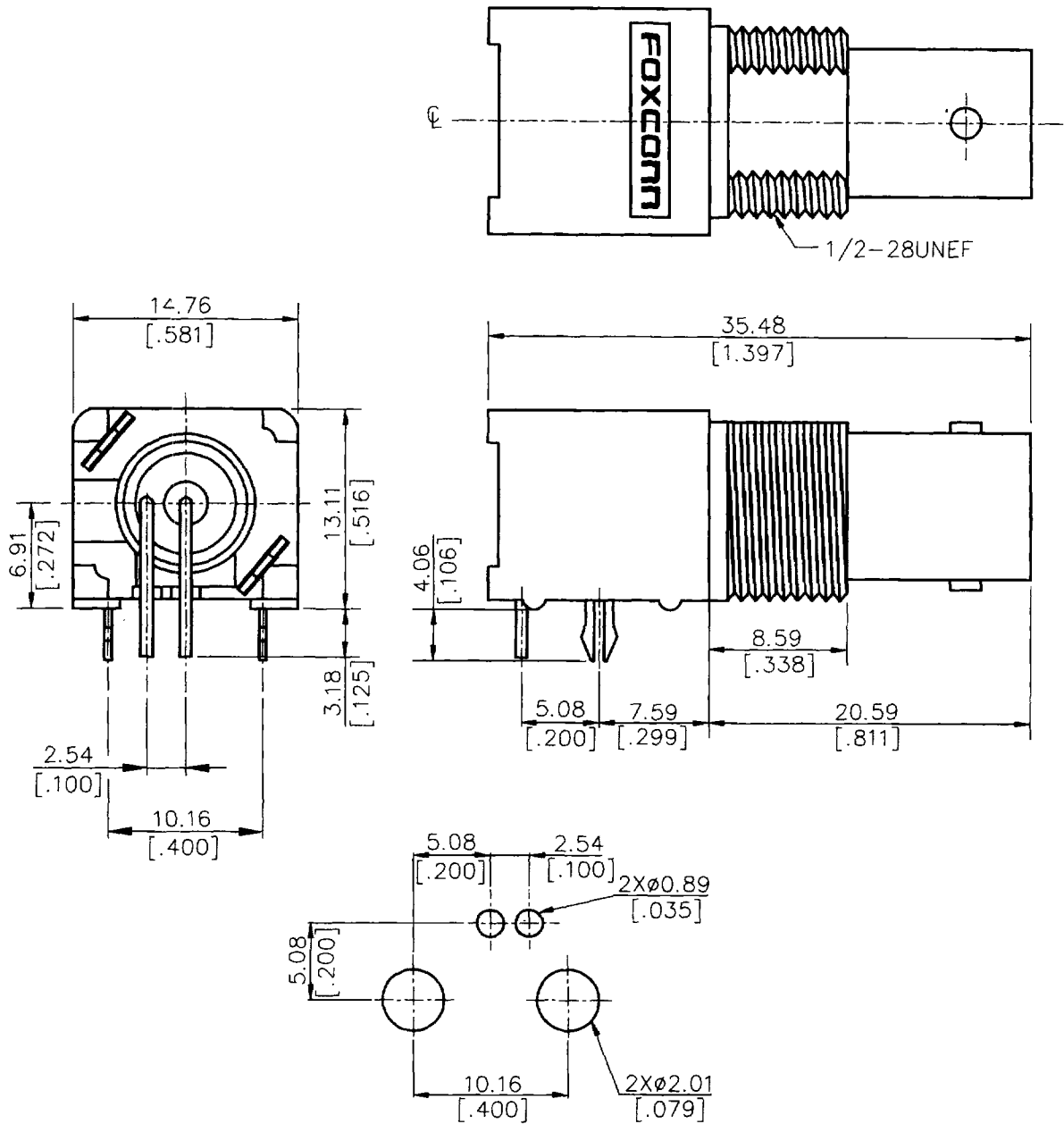
MODIFICATION CODE

CONTACT PLATING

- 01 = GOLD FLASH
- 04 = 30u" GOLD PLATING

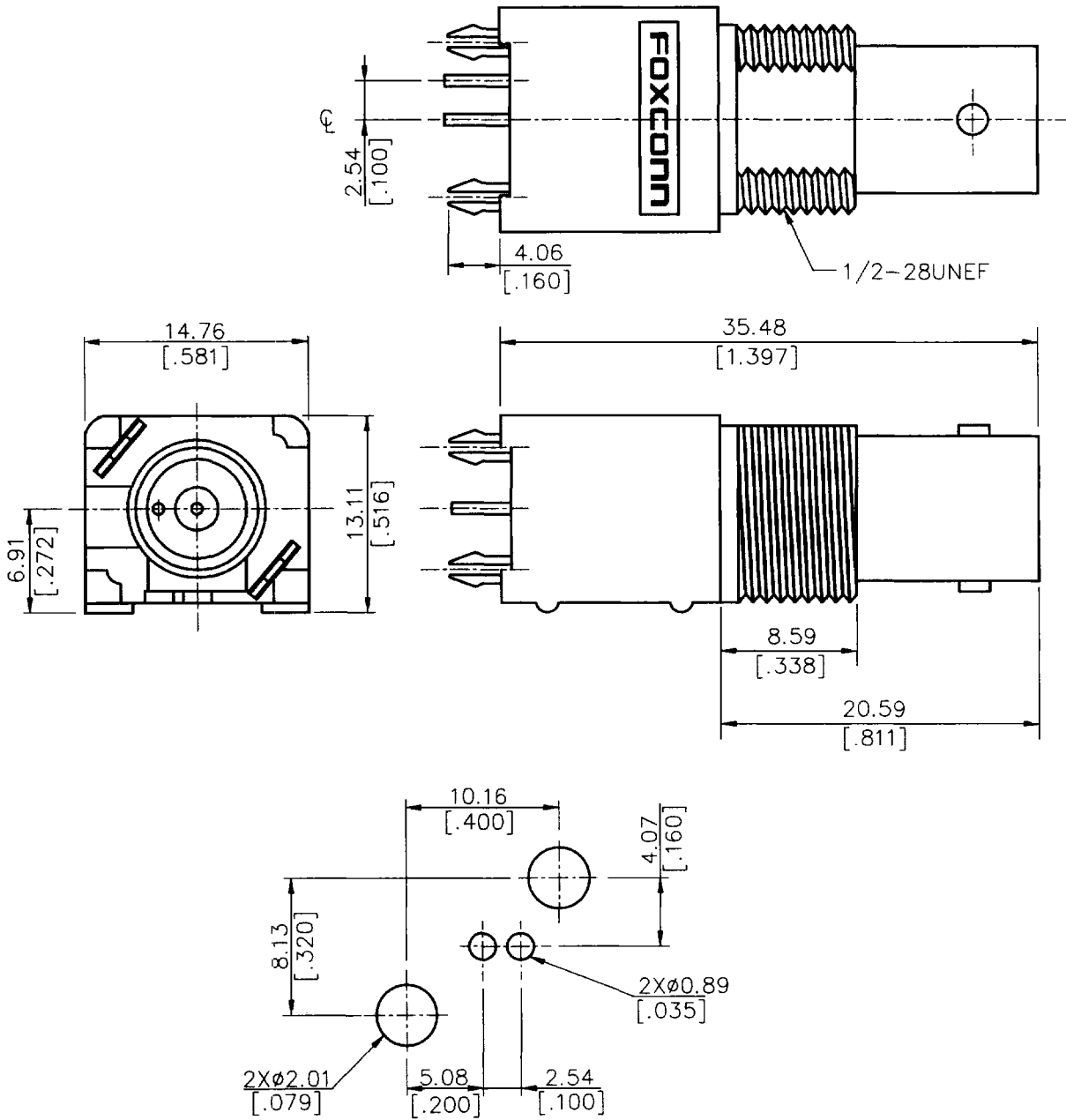
CONTACT DESIGN TYPE

- 0 = MALE
- 1 = FEMALE



RECOMMENDED P.C.B. LAYOUT
(TOP VIEW)

KAD100□-H0	WHITE
KAD100□-A5	BLACK
PROD. NO.	COLER



RECOMMENDED P.C.B. LAYOUT
(TOP VIEW)

PROD. NO.	KAC10□□-H0
-----------	------------